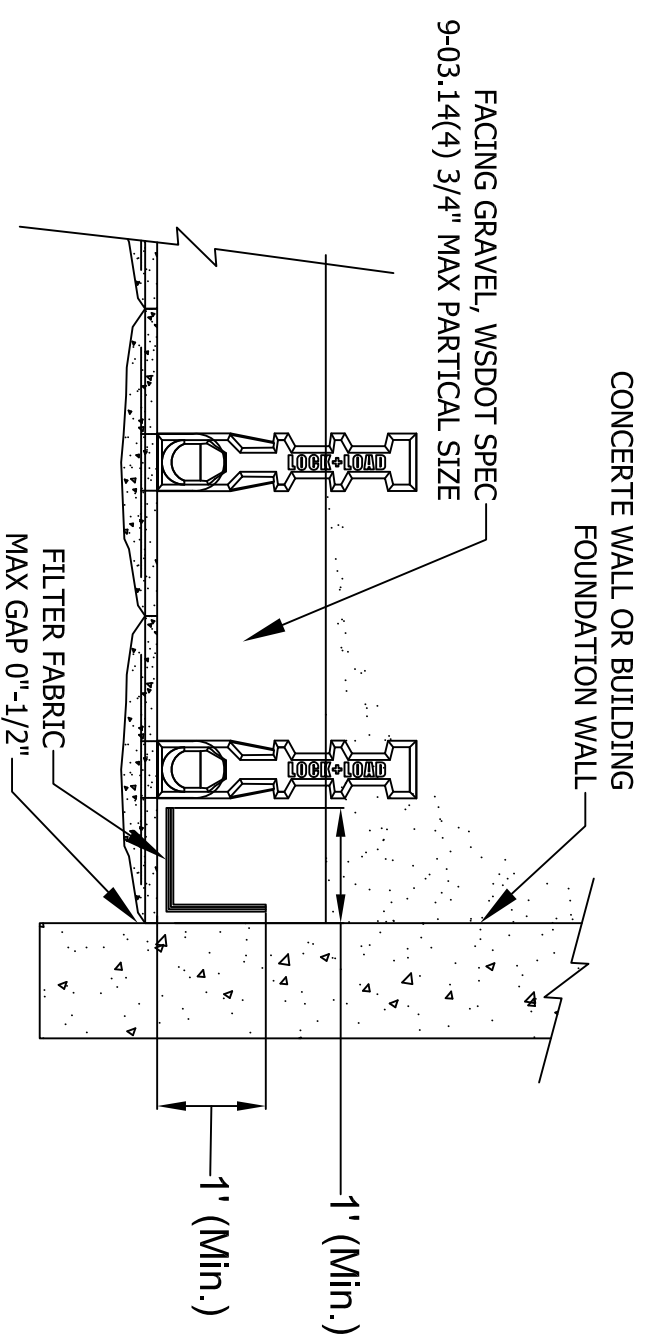


PARALLEL APPURTENANCE CONNECTION DETAIL



90 DEGREE APPURTENANCE CONNECTION DETAIL

REV #	DESCRIPTION	DATE

LOGK+LOADTM
 RETAINING WALL SYSTEMS
 1881 CHESTNUT STREET, SUITE 400, VANCOUVER, B.C. V6J 4K6
 Tel: (604) 732-5959 Fax: (604) 731-1140
 Web site: www.logkload.com

DRAWING NAME: CONNECTION DETAIL
 PROJECT NAME: TYPICAL DETAILS
 CITY: COQUITON
 DRAWN BY: KJA
 DATE: 01/06/12
 PREPARED BY: R. COGLAS
 SCALE: N.T.S.
 OUR PROJECT NUMBER: FOR
 OUR DRAWING NUMBER: LL-WSDOT-11C-CONNECTION
 CUSTOMER DRAWING