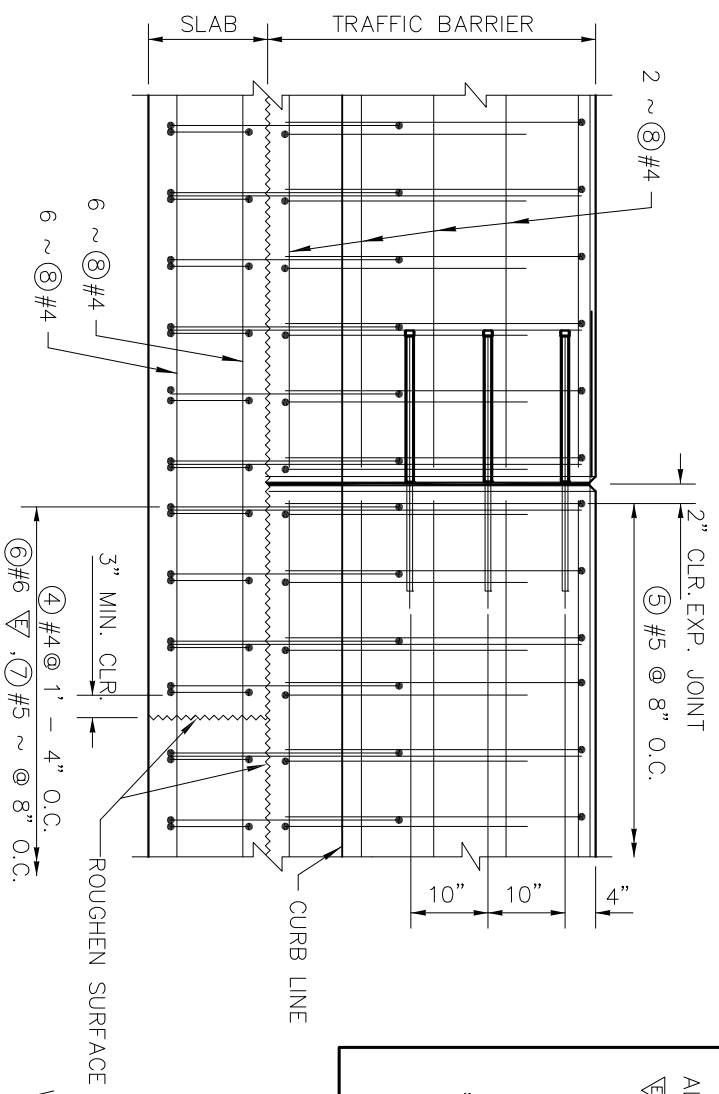
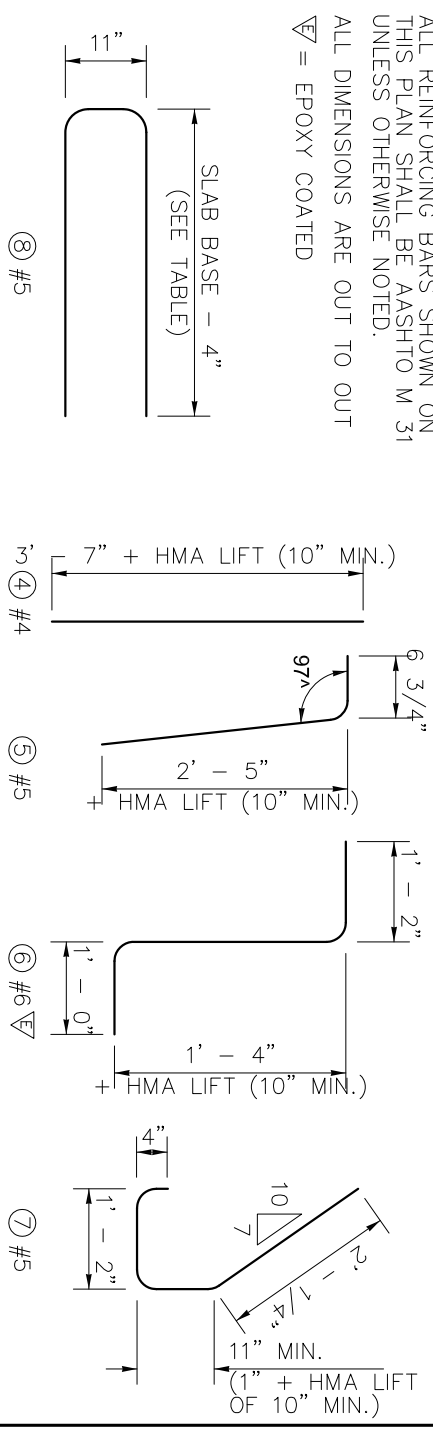


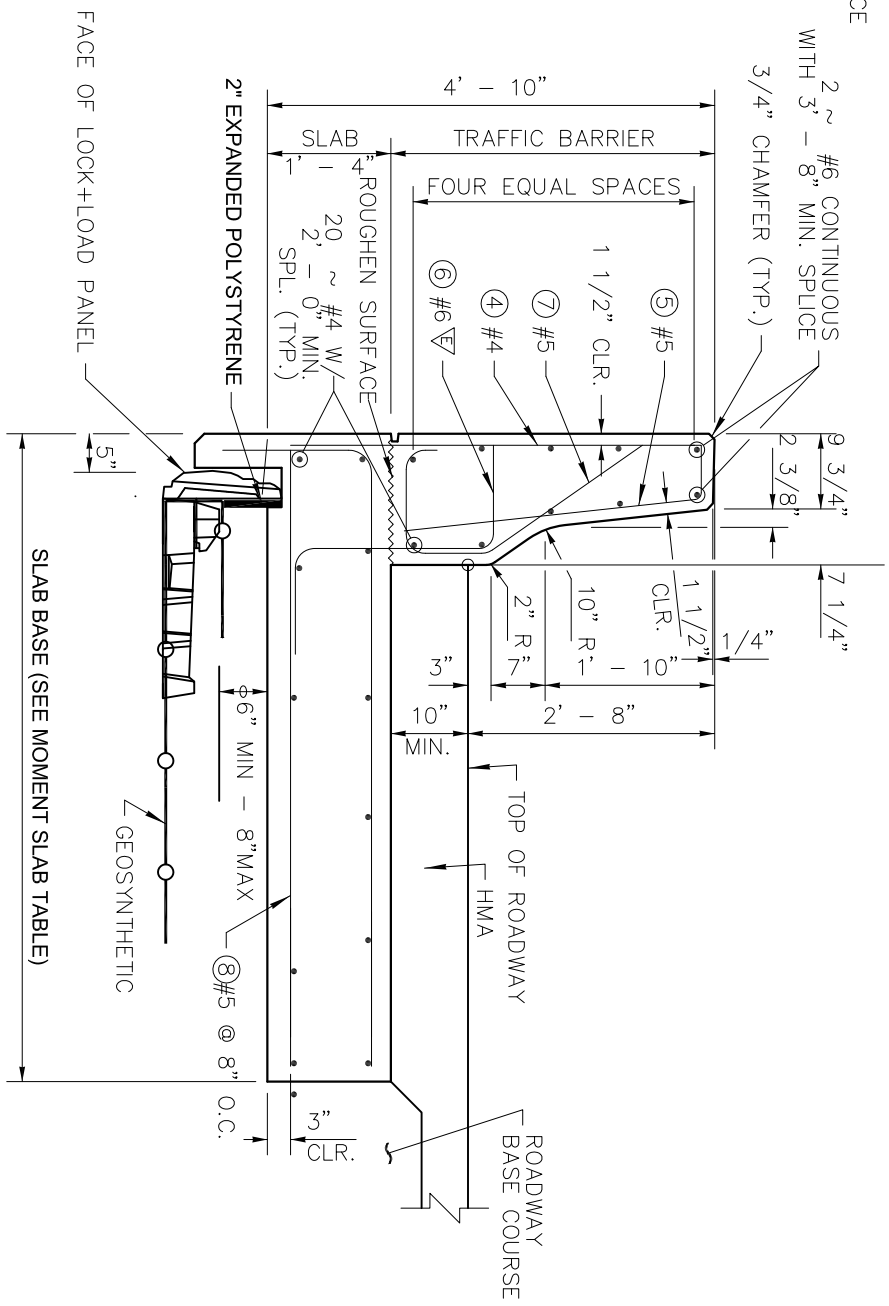
REINFORCING STEEL BENDING DIAGRAM

ALL REINFORCING BARS SHOWN ON THIS PLAN SHALL BE AASHTO M 31 UNLESS OTHERWISE NOTED.
ALL DIMENSIONS ARE OUT TO OUT
∇ = EPOXY COATED



ELEVATION

SLAB LENGTH		SLAB BASE		BARRIER EXPANSION JOINT SPACING	
MIN.	MAX.	ON WALL	AT GRADE	MIN.	MAX.
80' - 1"	--	7' - 0"	5' - 0"	80' - 0"	120' - 0"
60' - 1"	80' - 0"	8' - 0"	6' - 0"	60' - 0"	80' - 0"
40' - 1"	60' - 0"	9' - 0"	7' - 0"	40' - 0"	60' - 0"
0	40' - 0"				



TYPICAL SECTION

SHOWN AT GRADE

OVERHANGING MOMENT SLAB BARRIER DETAIL "F" SHAPE BARRIER

LOGK+LOAD™
 RETAINING WALL SYSTEMS
 1881 CHESTNUT STREET, SUITE 400, VANCOUVER, B.C. V6J 4M6
 Tel: (604) 732-5959 Fax: (604) 731-1140
 Web site: www.logkload.com

DRAWING TITLE: PRECAST BARRIER COPING DETAIL
 PROJECT NAME: TYPICAL DETAILS
 CITY: COQUITON
 DRAWN BY: KJA
 APPROVED BY: RC/DA
 SCALE: N.T.S.
 DATE: 01/06/12
 OUR PROJECT NUMBER: FOR
 OUR DRAWING NUMBER: LL-MSDOT-5B-F STYLE BARRIER

REV #	DESCRIPTION	DATE