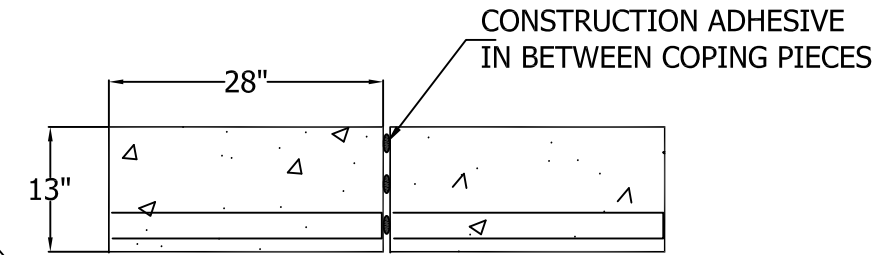
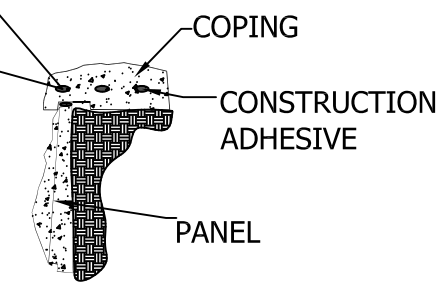
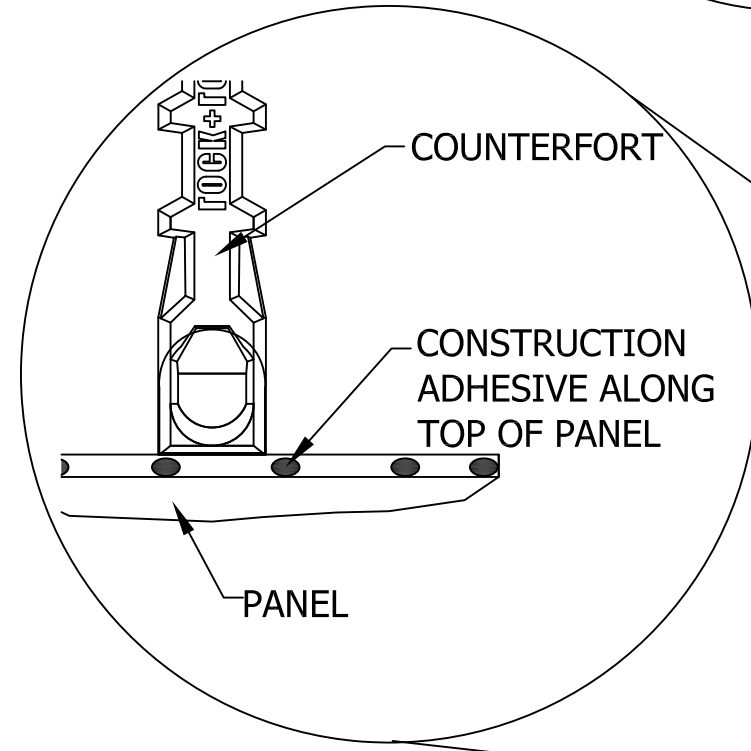


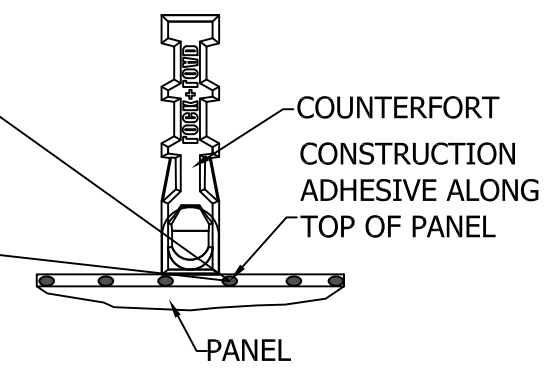
COPING SIDE VIEW



COPING TOP VIEW



ASSEMBLY SECTION



TOP VIEW OF PANEL

- 4) COPING ONLY REQUIRED IF SPECIFIED
- 5) UNITS APPROX. 130 LBS EACH

COPING DETAILS

REV #	DESCRIPTION	DATE

REV #	DESCRIPTION	DATE

LOCK+LOADTM
RETAINING WALL SYSTEMS
 1681 CHESTNUT STREET, SUITE 400, VANCOUVER, B.C. V6J 4M6
 Tel: (604) 732-9999 Toll Free: 1-877-901-9998 Fax: (604) 737-1140
 Web site: www.lock-load.com

DRAWING NAME: COPING	
PROJECT NAME: TYPICAL DETAILS	
LOCATION:	
CITY: COUNTRY:	
DRAWN BY: KJA	DATE: 07/1/13
APPROVED BY: RC/DA	PREPARED FOR:
SCALE: N.T.S.	FOR:
OUR PROJECT NUMBER	OUR DRAWING NUMBER
CUSTOMER DRAWING	LL-ODOT-1G-COPING