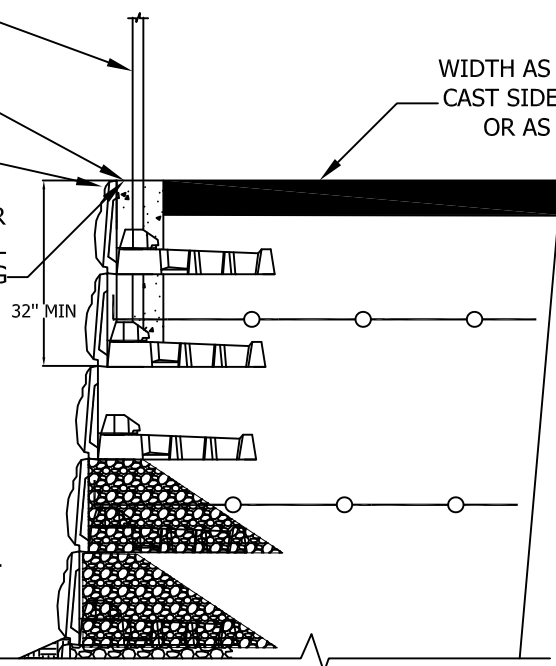


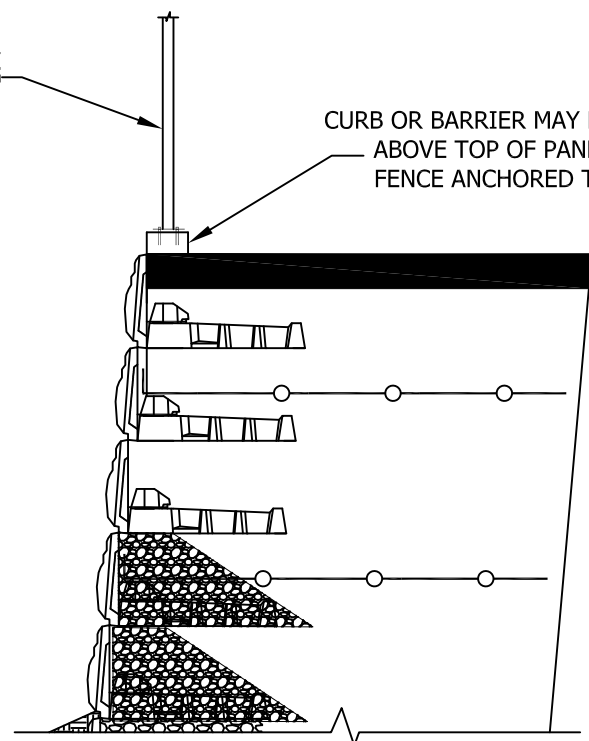
6' FENCE OR PEDESTRIAN GUARD RAIL SPECIFIED BY ENGINEERING
 EMBED POST IN 8" DIA PVC SLEEVE OR SONO TUBE 32" MIN OR SPECIFIED BY ENGINEER
 TOP OF SLEEVE 2" BELOW TOP OF PANEL
 WIDTH AS SPECIFIED
 CAST SIDEWALK 4-6" OR AS SPECIFIED

8" PVC SLEEVE FOR SMALLER FENCEING OR HANDRAIL SPECIFIED BY ENGINEERING



FENCE OR PEDESTRIAN GUARD RAIL SPECIFIED BY ENGINEERING

CURB OR BARRIER MAY BE CAST ABOVE TOP OF PANEL WITH FENCE ANCHORED TO CURB



CONSTRUCTION NOTE:

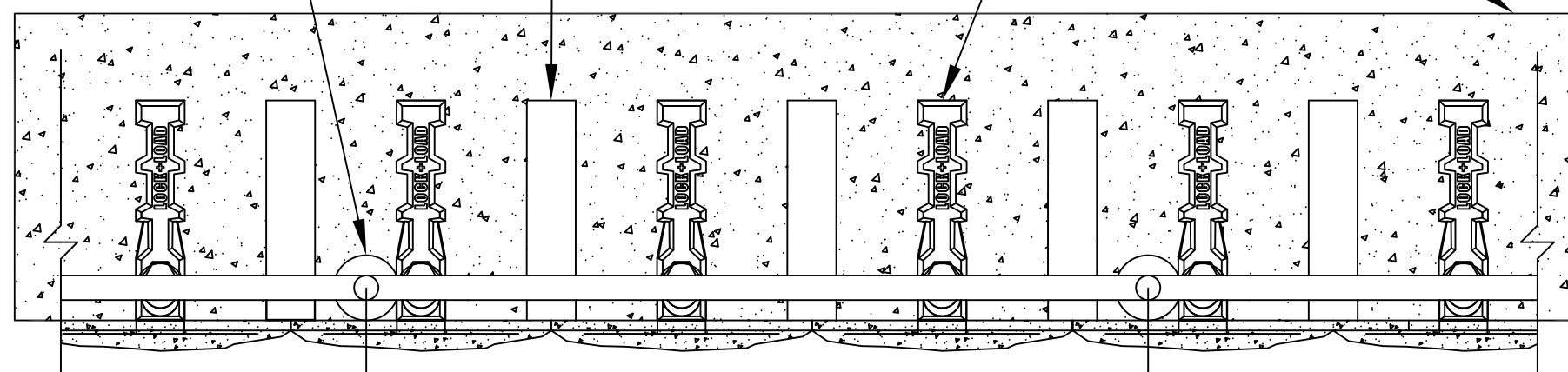
CUT SLEEVE 30"
 INSTALL 2" BELOW TOP OF PANEL
 FINISH CONCRETE TO TOP OF PANEL

8' ON CENTER SPACING FOR FENCE OR PEDESTRIAN GUARDRAIL BY OTHERS EMBED POST IN A 8" DIA PREINSTALLED SONO TUBE OR PVC

2ND COURSE OF COUNTERFORT FROM TOP OF WALL

SIDEWALK

TOP OF WALL COUNTERFORTS



APPROXIMATE O/C

DETAIL NOTE:

FENCE SLEEVES MAY BE SPACED AT ANY 16" MULTIPLE EXAMPLE 4', 5'4", 6'8", 8'

REV#	DESCRIPTION	DATE

LOCK+LOADTM
 RETAINING WALL SYSTEMS
 1681 CHESTNUT STREET, SUITE 400, VANCOUVER, B.C. V6J 4M6
 Tel: (604) 732-9990 Toll Free: 1-877-901-9998 Fax: (604) 737-1140
 Web site: www.lock-load.com

DRAWING NAME	FENCE DETAIL		
PROJECT NAME	TYPICAL DETAILS		
LOCATION			
CITY	COUNTRY		
DRAWN BY	SM	DATE	02-14-2019
APPROVED BY	RC/DA	PREPARED	
SCALE	N.T.S.	FOR	
OUR PROJECT NUMBER		OUR PROJECT NUMBER	